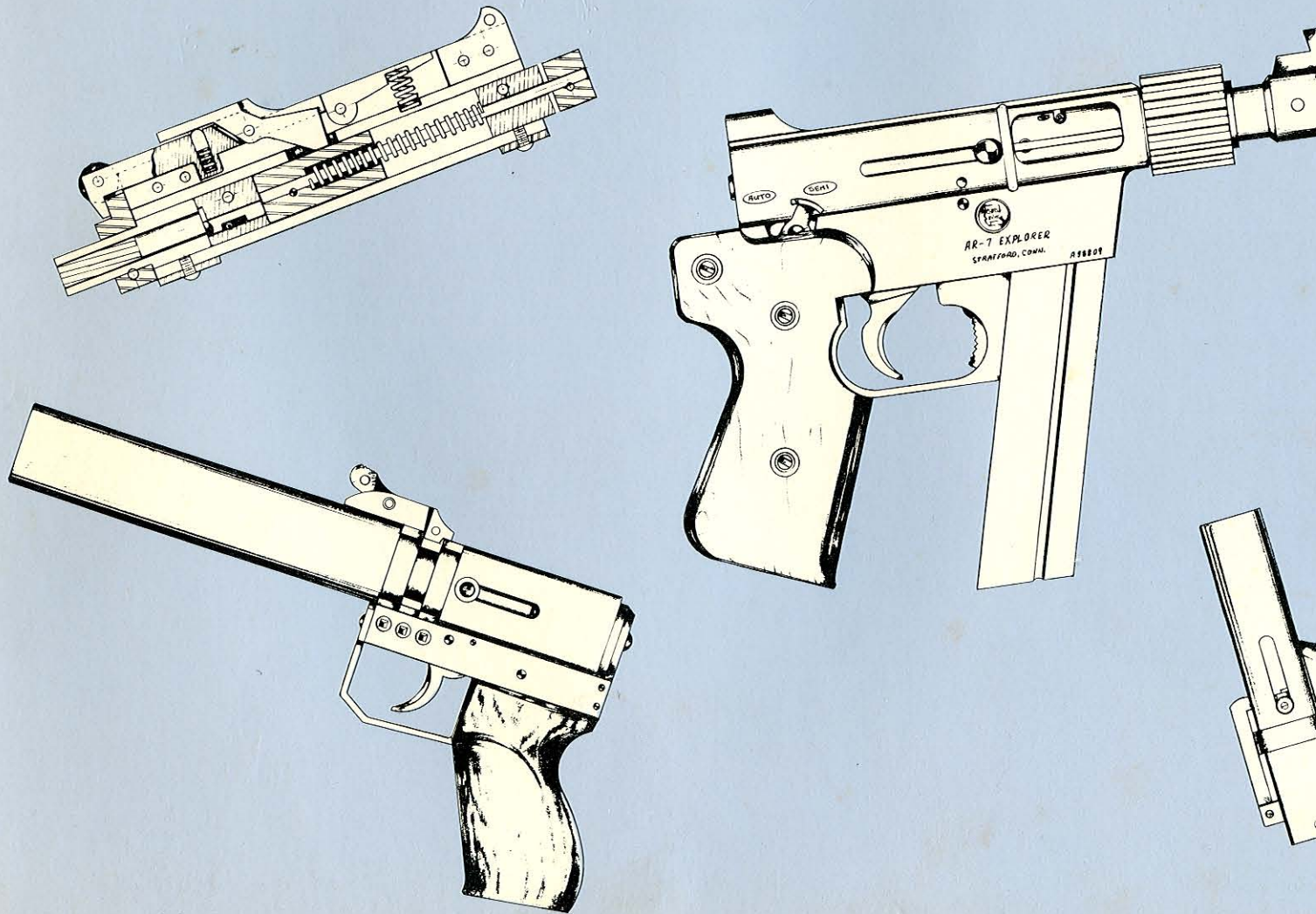


AUTOMATIC AND CONCEALABLE FIREARMS DESIGN BOOK, VOLUME I



**Automatic & Concealable
Firearms Design Book,
Volume I**

**Automatic & Concealable
Firearms Design Book,
Volume I**

by the Editors of Paladin Press books

Automatic and Concealable Firearms Design Book, Volume I
Copyright 1979 by Paladin Press

ISBN 0-87364-165-5
Printed in the United States of America

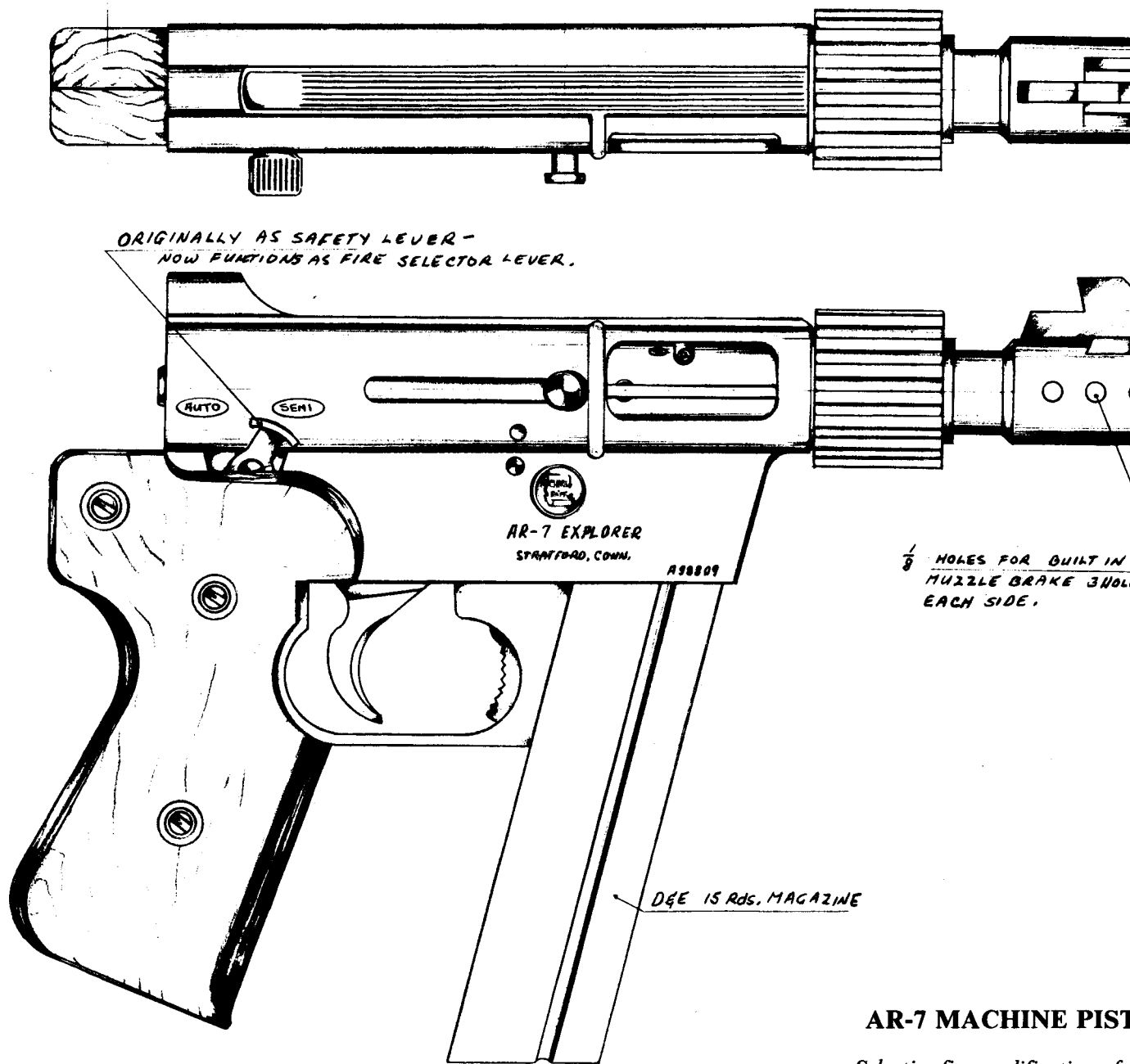
All rights reserved. Except for use in a review, no portion of this book may be reproduced in any form without the express written permission of the publisher and the author. Direct all inquiries and/or orders to the address listed below.

Published by Paladin Press, a division of
Paladin Enterprises, Inc., P.O. Box 1307,
Boulder, Colorado 80306 (303) 443-7250

Neither the author nor the publisher assumes any responsibility for the use or misuse of the information contained in this book.

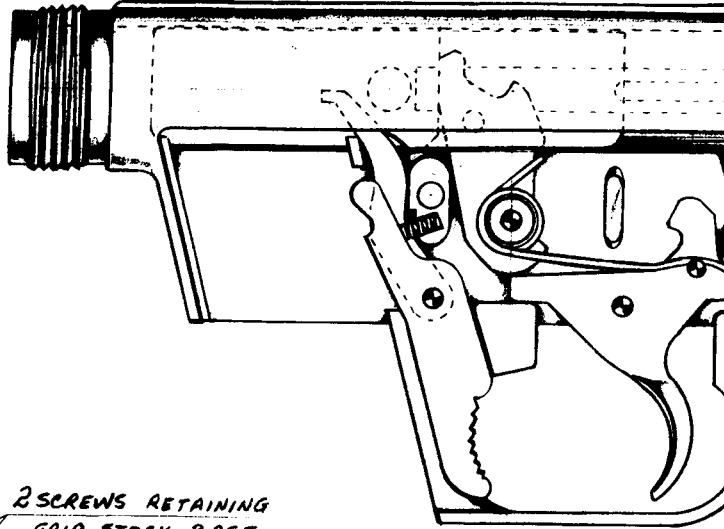
WARNING

It is against the law to manufacture a firearms without an appropriate license from the federal government. There are also state and local laws prohibiting the possession of such weapons in many areas. Severe penalties are prescribed for violations of these laws. Be warned!



© Copyright 1979 by Paladin Press

AR-7 MACHINE PISTOL
 Selective fire modification of

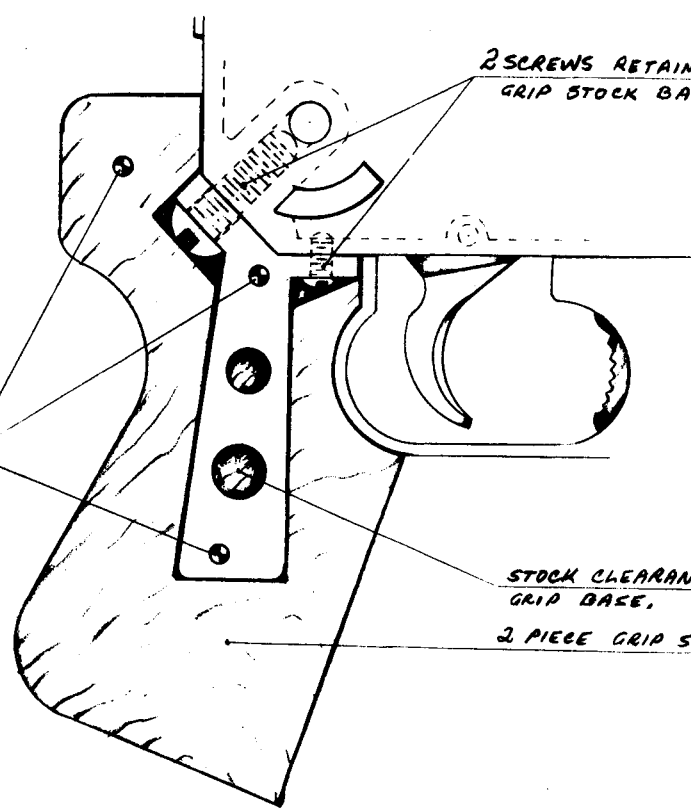


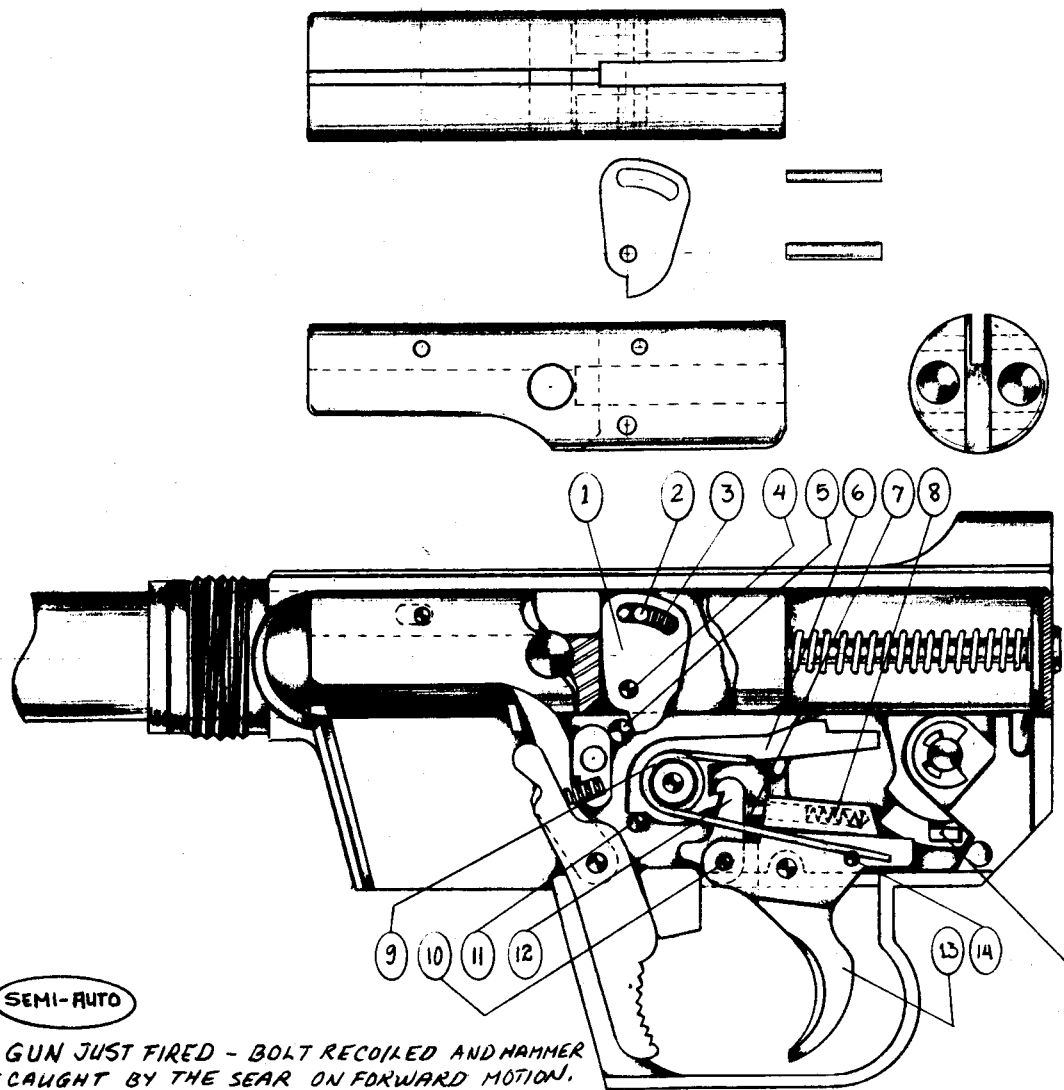
ORIGINAL SEMI
~ TRIGGER M

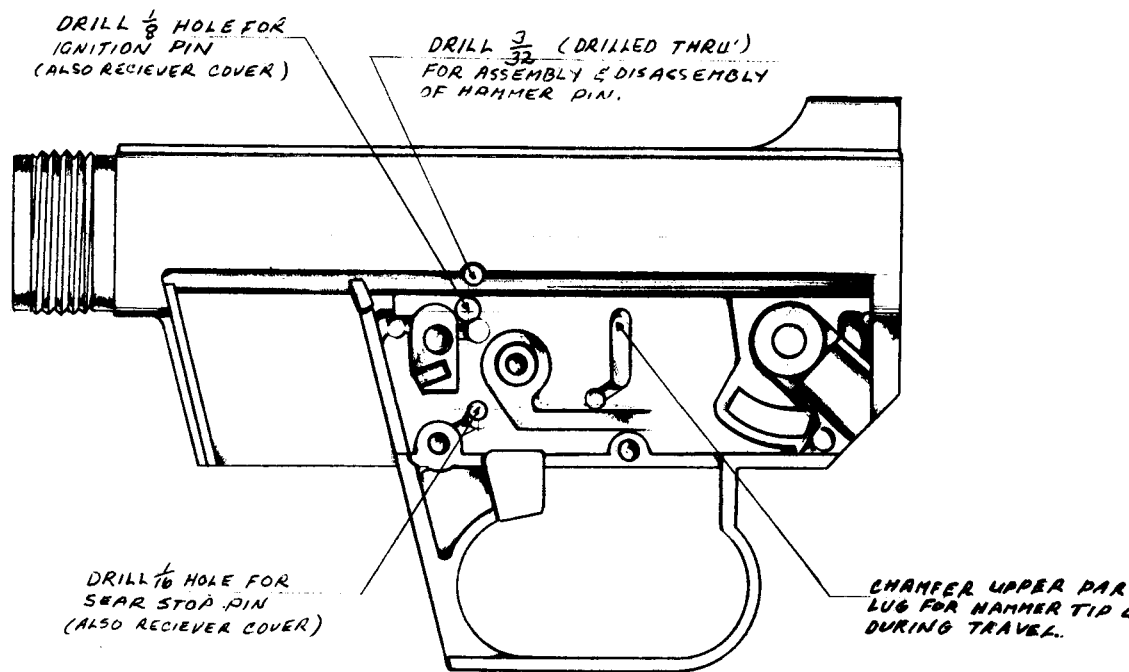
2 SCREWS RETAINING
GRIP STOCK BASE

GRIP STOCK SCREWS
(3 Pcs.)

STOCK CLEARANCE FOR
GRIP BASE,
2 PIECE GRIP STOCK

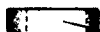




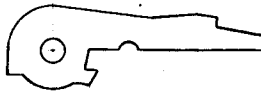


HAMMER

SEAR



HAMMER & S
SAME THICKN
FACTORY HA

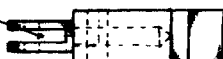


CLEARANCE NOTCH FOR
HAMMER RETRACTING SPRING

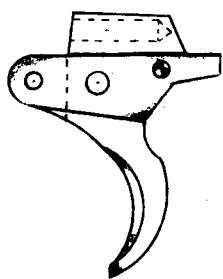
THICKNESS -
MUST CORRESPOND
WITH TRIGGER NOTCH
(BOTTOM PART OF TRIP)

TRIGGER NOTCH FOR TRIP

$\frac{1}{8}$ HOLE (NOT DRILLED THAN!)
FOR PLUNGER - TRIP



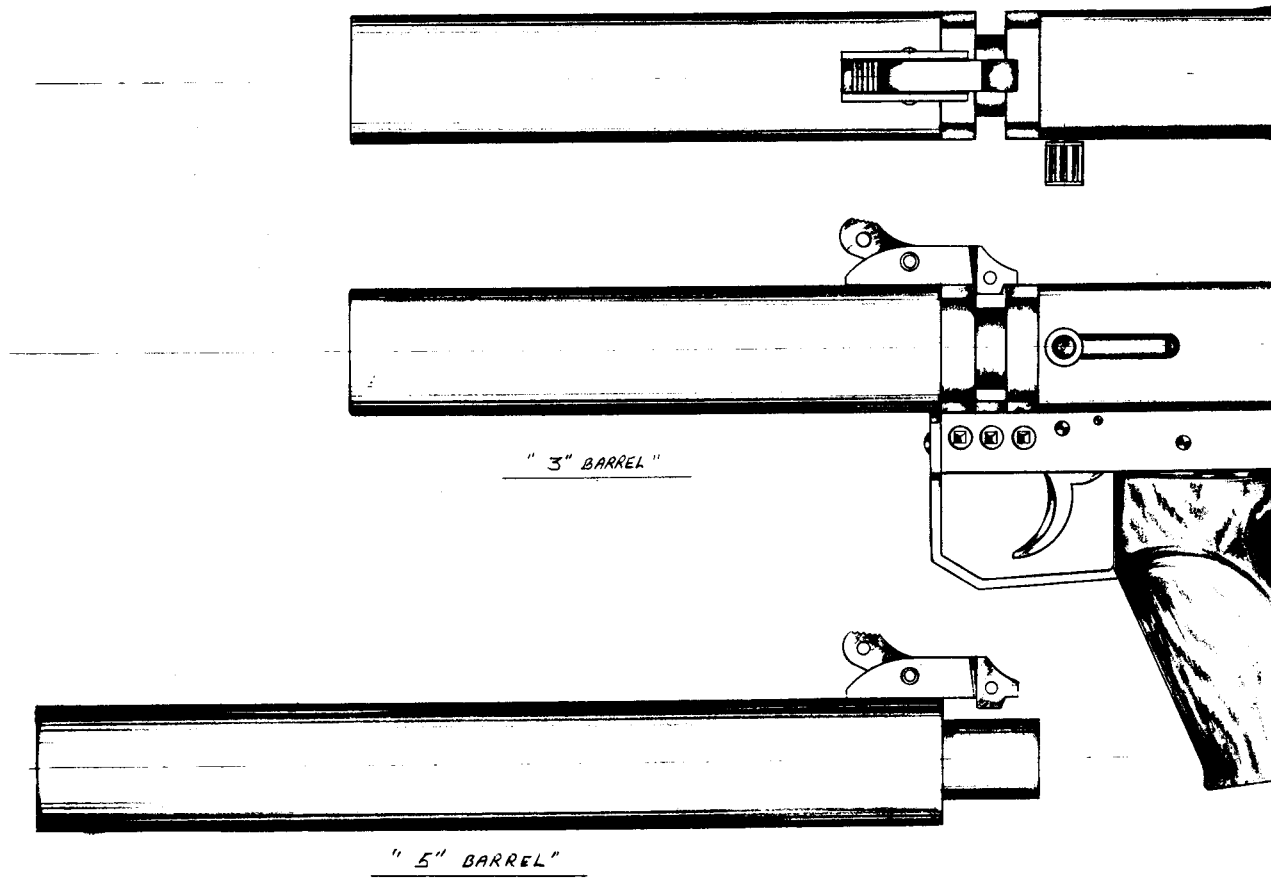
TRIP DISENGAGEMENT
POINT WITH TRIPPING SHOULD



PIN NOT
TO RETAIN
RETURN

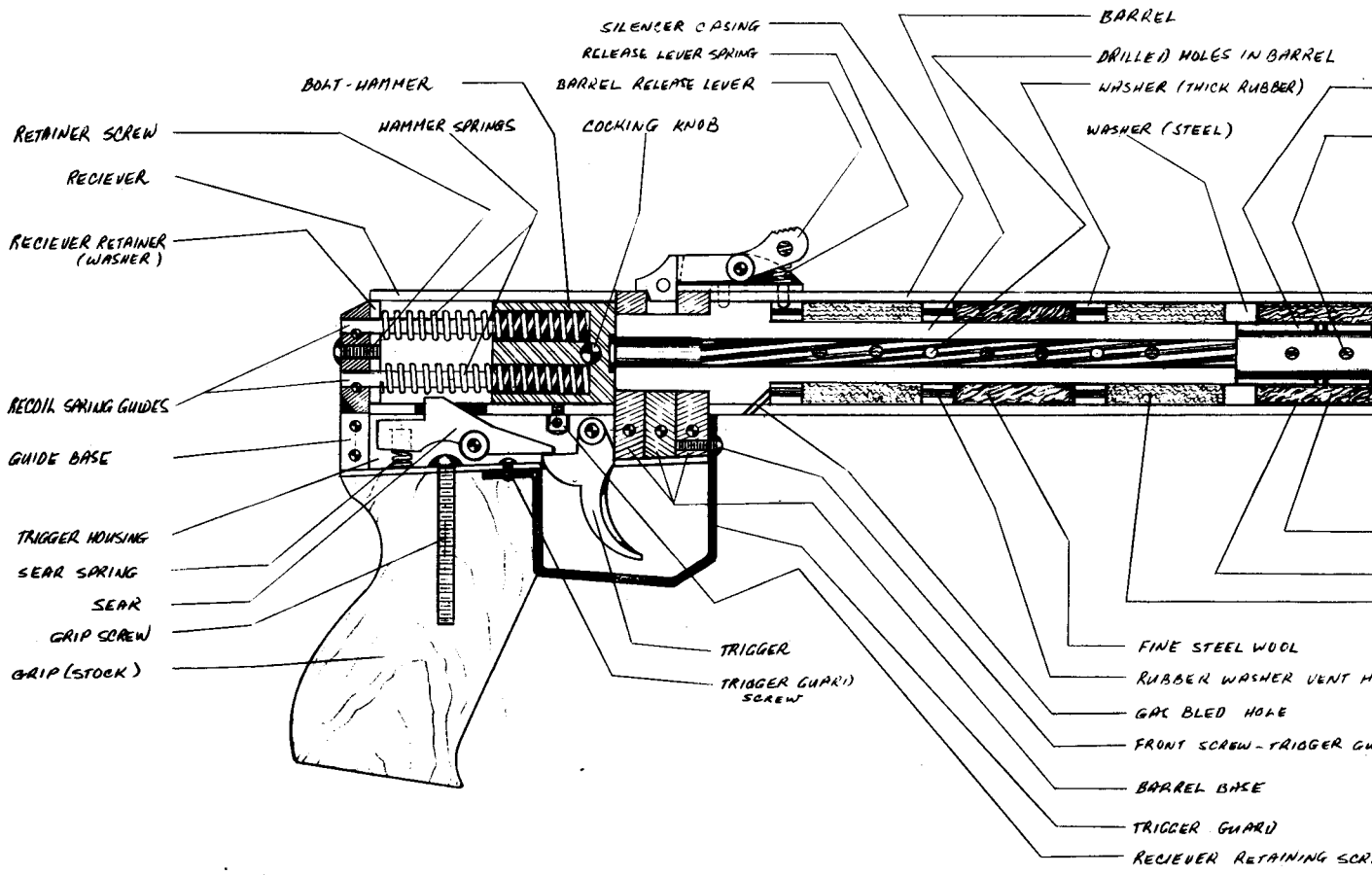
TRIGGER TRAVEL
THICKNESS
TRIGGER C

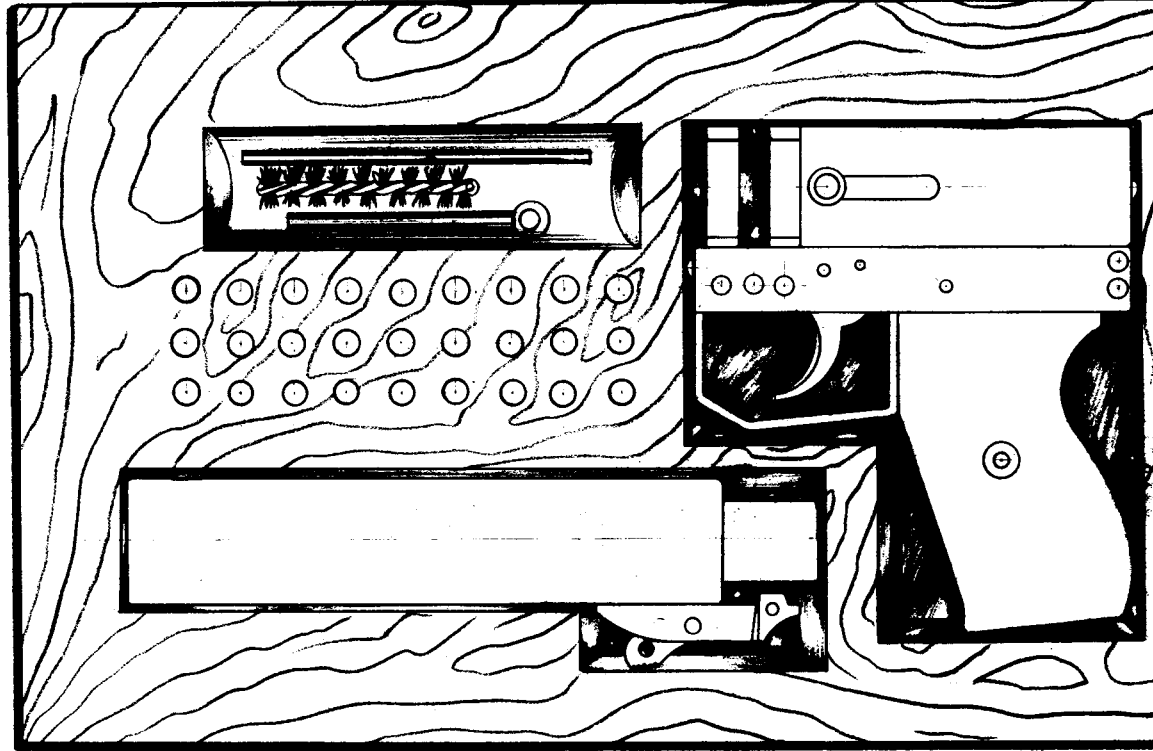
TRIGGER DETAIL



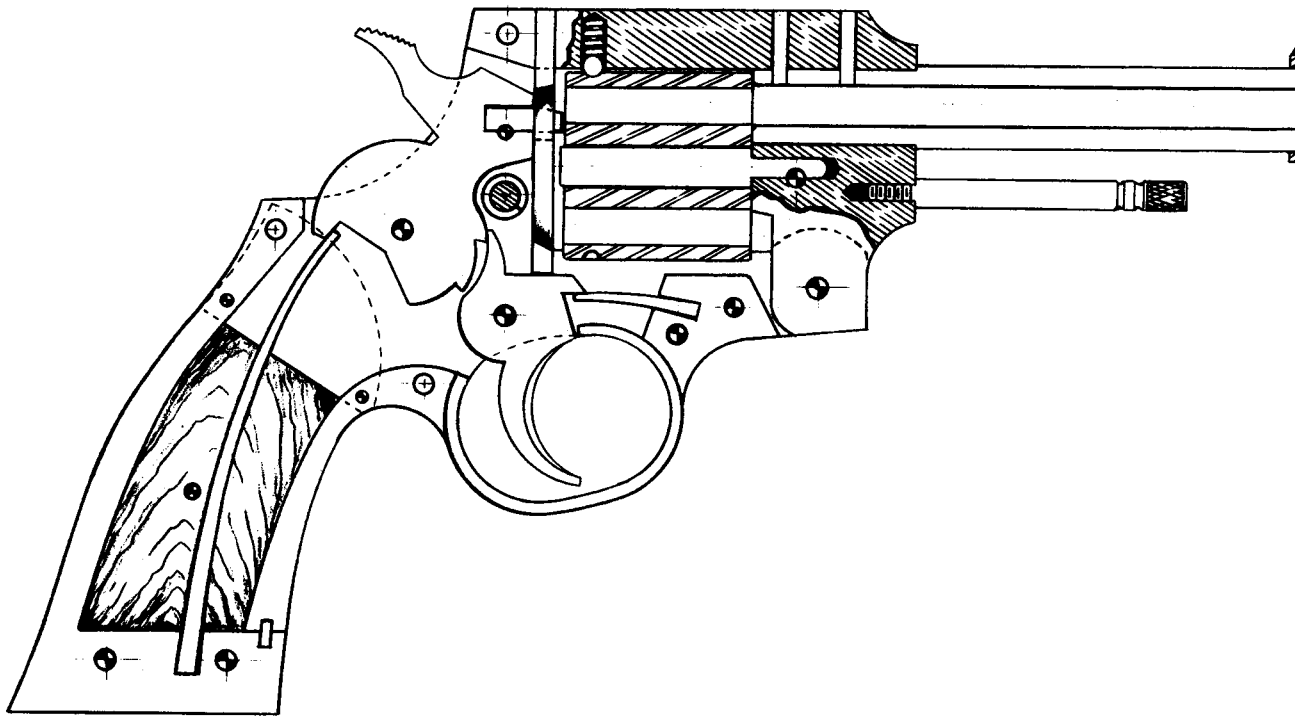
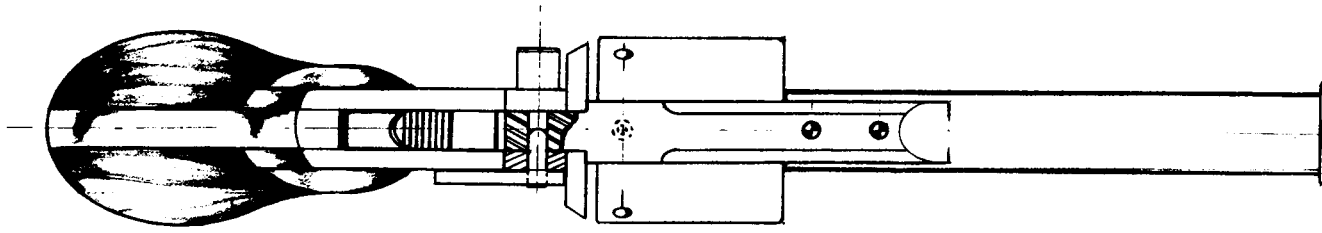
SPECIAL .22 SILENCED WEAPON

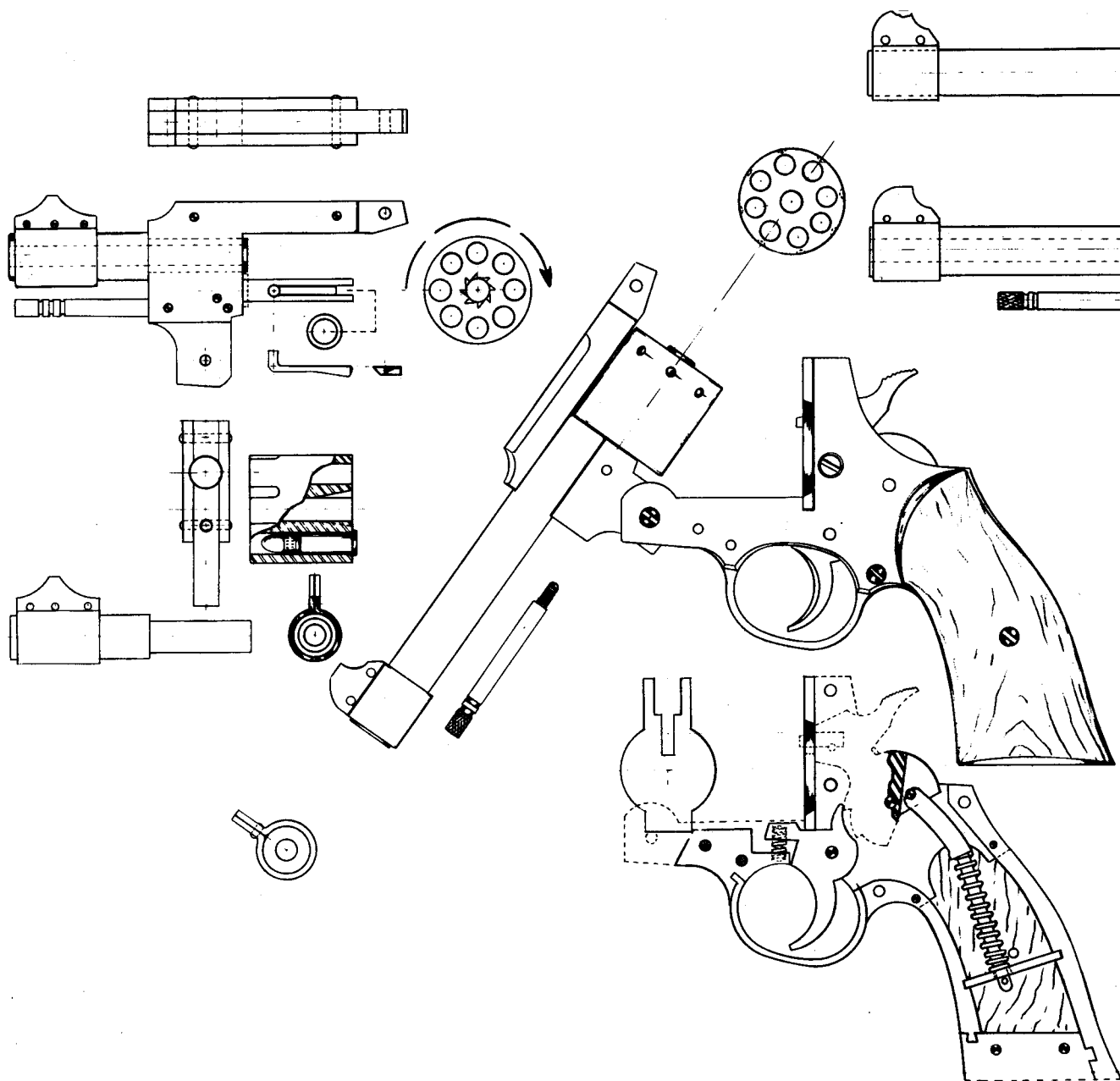
© Copyright 1979 by Paladin Press

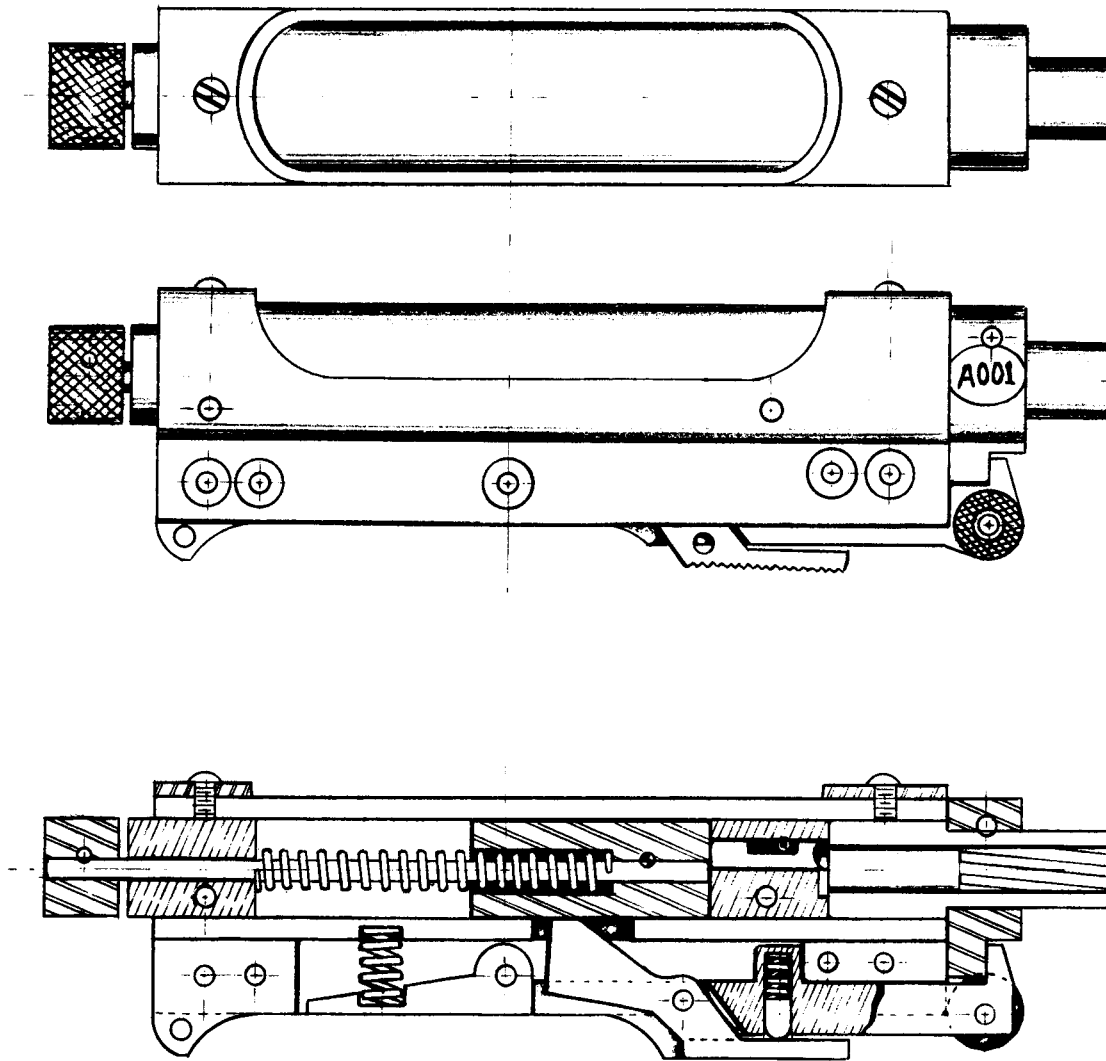




IMPROVISED WOODEN CASE FOR THE
— SPECIAL WEAPON MODEL —

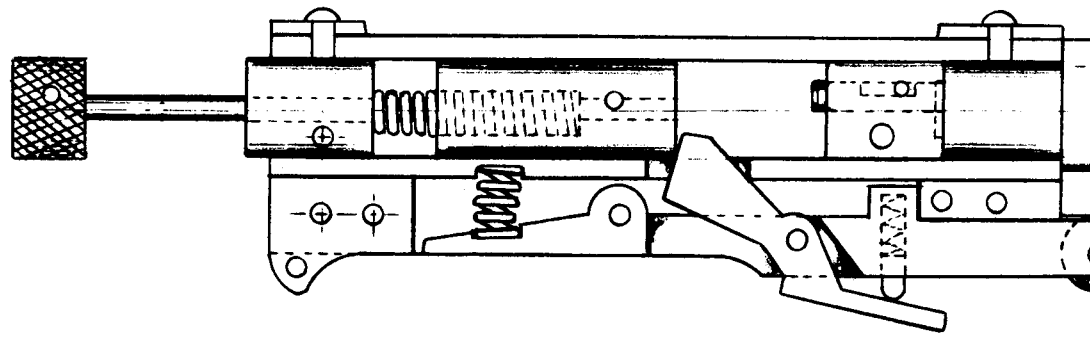
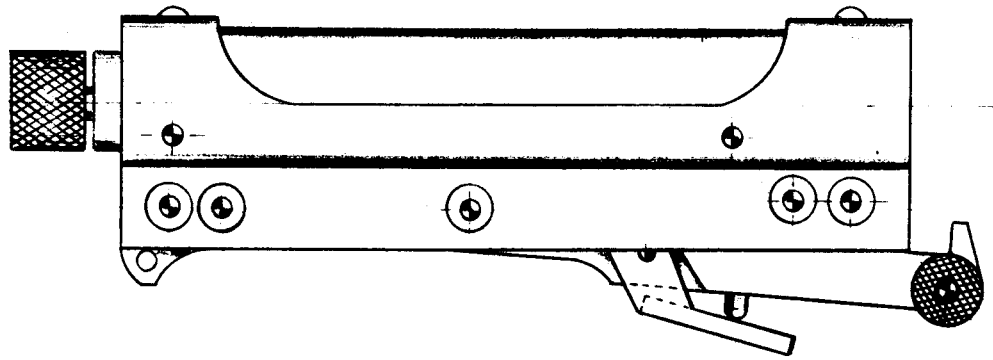


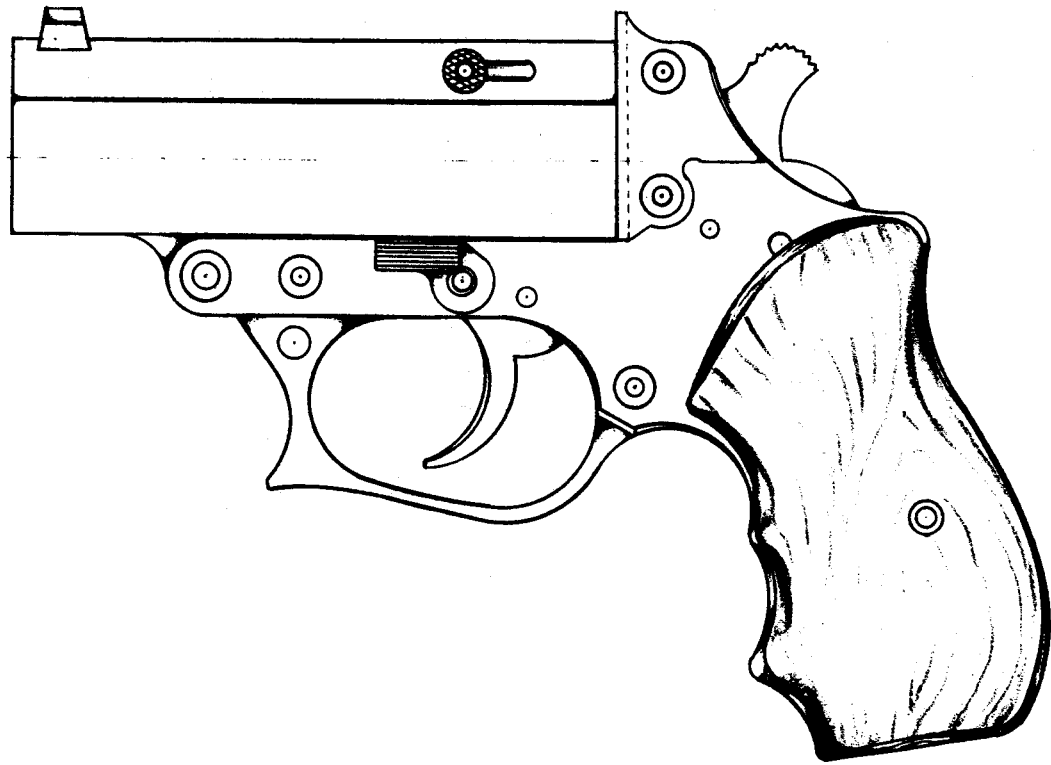




STINGER — SPECIAL MODEL

© Copyright 1979 by Paladin Press

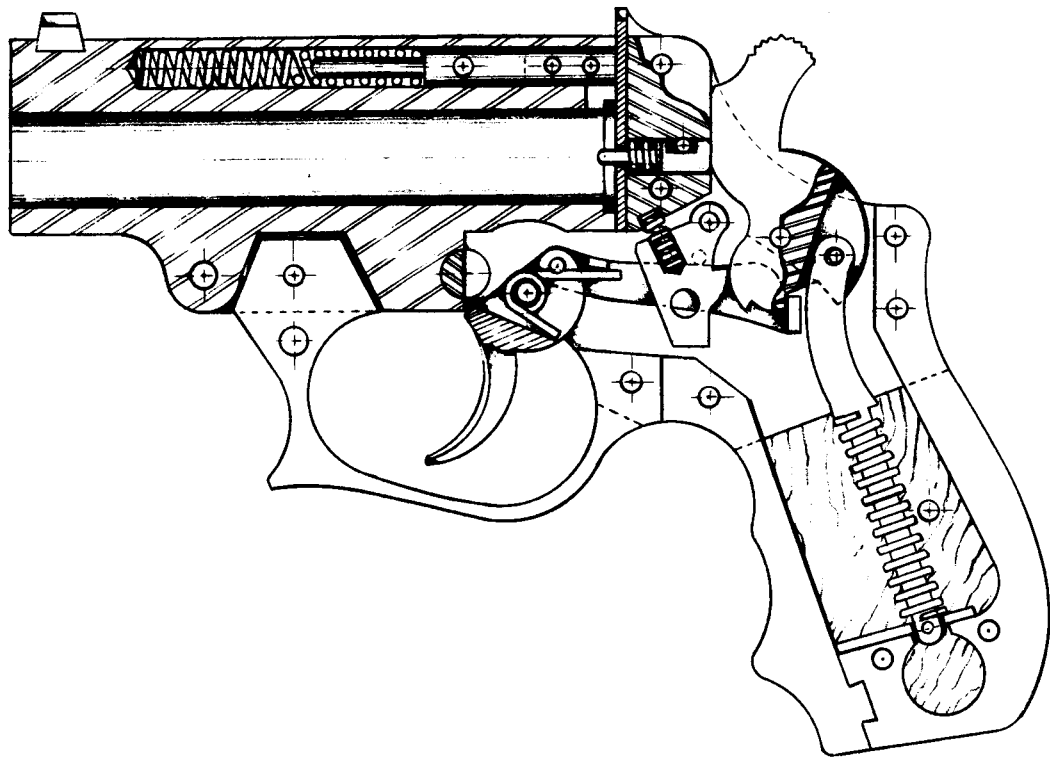
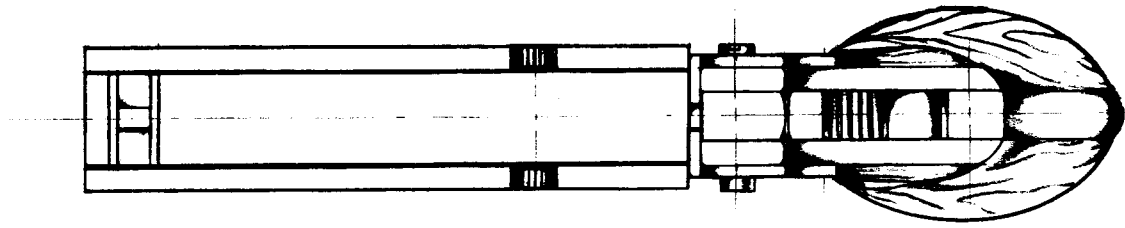


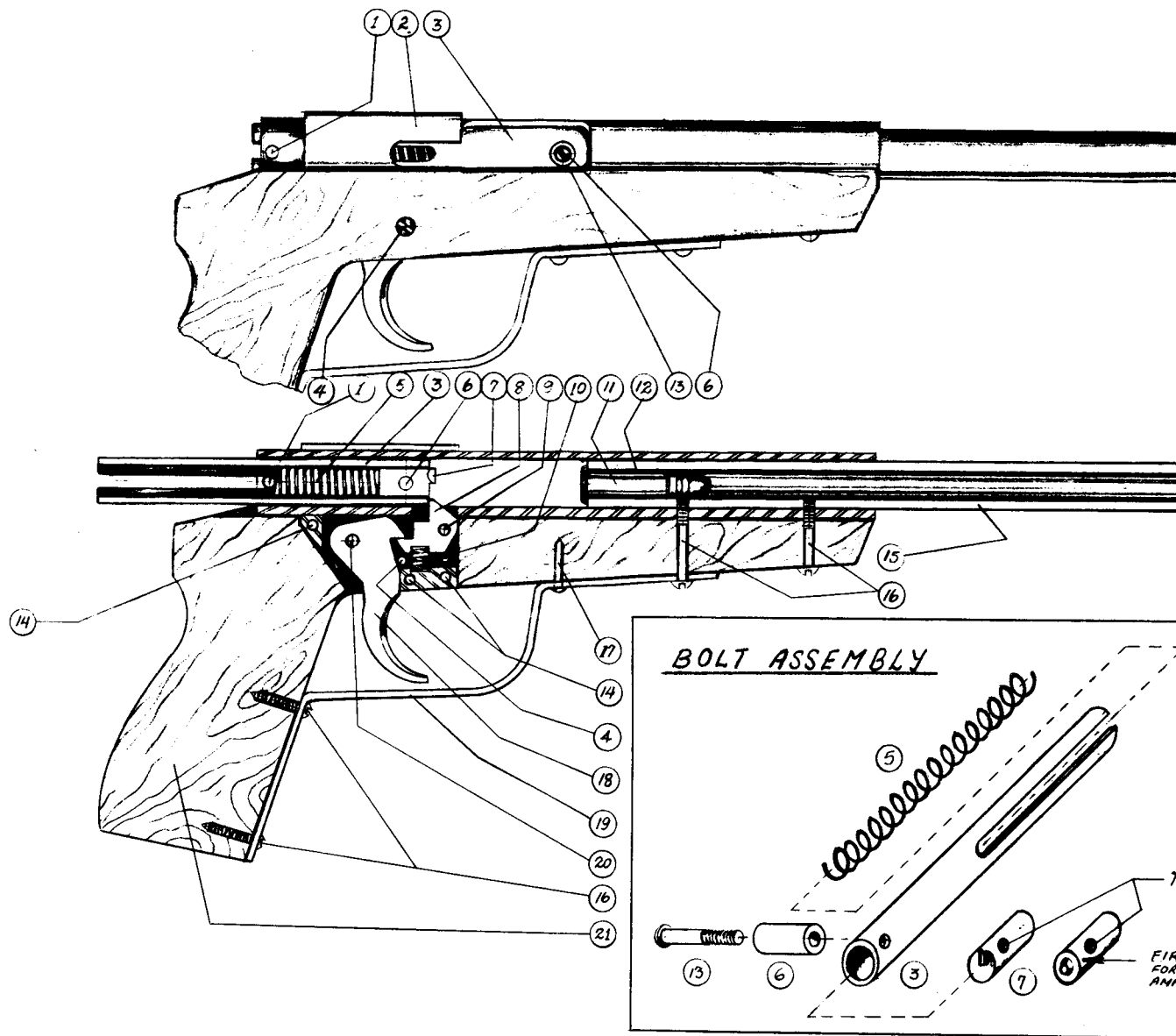


DOUBLE ACTION MINI-SHOTGUN PISTOL

Made in .410 gauge and .45 ACP

© Copyright 1979 by Paladin Press





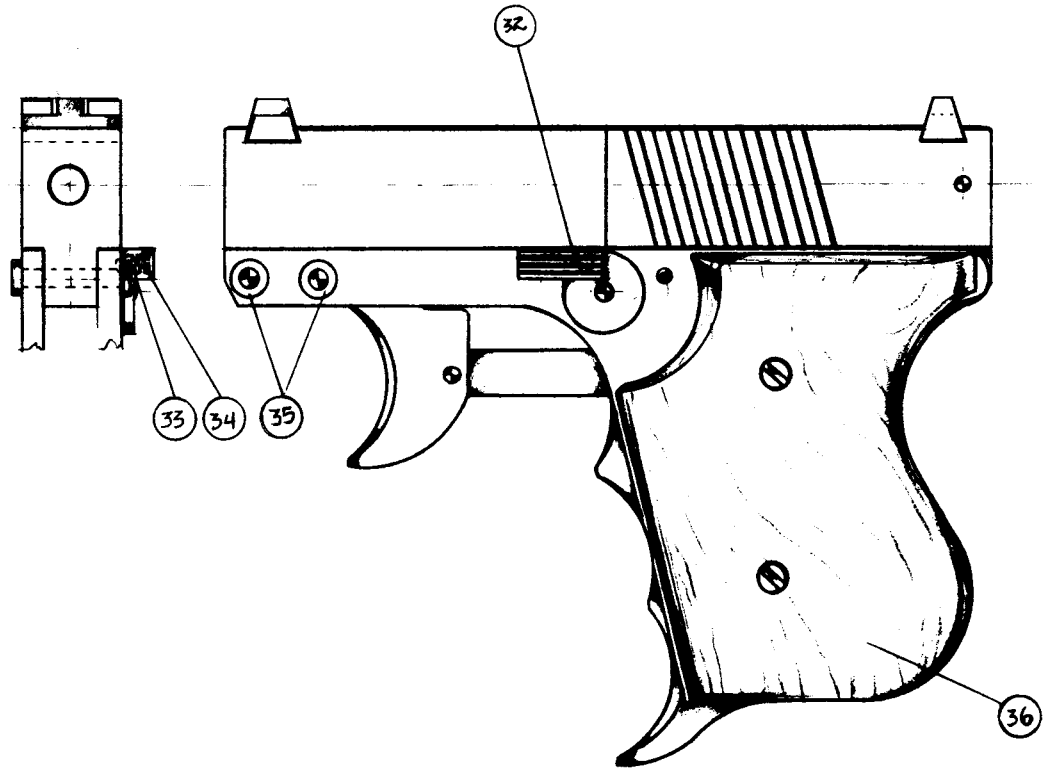
IMPROVISED BOLT ACTION .22

© Copyright 1979 by Paladin Press

**BOLT ACTION .22
PARTS LIST**

1. *Hammer spring stop pin*
2. *Barrel reinforcement jacket*
3. *Bolt containing firing pin assembly*
4. *Trigger housing screw*
5. *Hammer spring*
6. *Cocking handle screw*
7. *Firing pin*
8. *Sear*
9. *Sear pin*
10. *Sear spring*
11. *.22 LR cartridge*
12. *Chamber*
13. *Cocking handle screw*
14. *Trigger housing pins*
15. *Pipe barrel*
16. *Barrel retaining screw*
17. *Nail*
18. *Trigger*
19. *Trigger guard*
20. *Trigger pin*
21. *One piece stock*

Note: After firing, the weapon will automatically eject the empty shell from chamber. Bolt must be cocked to fire again, after reloading.



DOUBLE ACTION SINGLE SHOT .22 MAGNUM

© Copyright 1979 by Paladin Press

- [download Masterpieces of Irish Crochet Lace: Techniques, Patterns, Instructions pdf, azw \(kindle\), epub](#)
- [click Private Games \(Private, Book 3\) for free](#)
- [click *The Crisis of the European Mind: 1680-1715* pdf, azw \(kindle\), epub, doc, mobi](#)
- [read Holiday Slow Cooker: Delicious Recipes for a Year of Hassle-Free Celebrations](#)
- [download *The Gospel According to the Fix: An Insider's Guide to a Less than Holy World of Politics*](#)
- [Walt Disney: The Triumph of the American Imagination pdf, azw \(kindle\)](#)

- <http://transtrade.cz/?ebooks/Masterpieces-of-Irish-Crochet-Lace--Techniques--Patterns--Instructions.pdf>
- <http://academialanguagebar.com/?ebooks/The-Terrorist-s-Son--A-Story-of-Choice.pdf>
- <http://www.celebritychat.in/?ebooks/Models-of-Capitalism--Growth-and-Stagnation-in-the-Modern-Era.pdf>
- <http://test.markblaustein.com/library/Holiday-Slow-Cooker--Delicious-Recipes-for-a-Year-of-Hassle-Free-Celebrations.pdf>
- <http://patrickvincitore.com/?ebooks/Snuff--Discworld--Book-39-.pdf>
- <http://aseasonedman.com/ebooks/Pompeii--The-Day-a-City-Died.pdf>